



A SUBSIDIARY OF COMMUNICATIONS SUPPLY CORPORATION

Mounts and Accessories

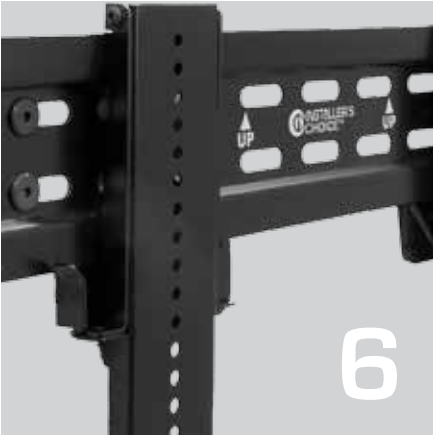
www.LibAV.com



Manufactured by:



Contents



Fixed Mounts



Connection Boxes



Tilt Mounts



Articulating Mounts

Installer's Choice Mount Catalog 2011

Installer's Choice

IMS Engineered Products has been a leader in the development of enclosure and mounting systems for 68 years. Our innovations have become the standard for housing electronics and data systems over that time, trusted by companies and institutions providing services that touch virtually every aspect of your daily life. The world relies on us to provide protection for the equipment that tracks satellites, moves trillions of dollars every day, keeps track of vital health information, and processes data about distant planets. From military installations to banks and hospitals, IMS Engineered Products provides stability and security for the information your world runs on.

Now IMS introduces Installer's Choice, which brings to your home or business the quality and precision the world's technological leaders have depended on for decades. Installer's Choice is our most advanced line of rack and mounting systems yet, providing customization and quality that is second to none in securing your audio-visual components.

These products were designed with a mind toward the future of home entertainment equipment, providing smooth, low-profile mounting and rack solutions for the industry's slimmest flat-panel displays and a variety of seamless cable management solutions. We gathered a group of the industry's most experienced installers and used their input and expertise in developing Installer's Choice. The result is a line of mounts and racks that combine modern, streamlined design with an ease of use and flexibility that covers any installation level.

Trust your audio-visual components with the same award-winning design and manufacturing excellence the world's largest financial, insurance, aviation and defense organizations have enjoyed since 1943. Installer's Choice: Better Built by Design.

Liberty AV Solutions

Liberty AV Solutions is excited to announce our new partnership with Installer's Choice. With this partnership and other changes to our business, we are reaffirming our short and long term commitment to the AV Industry and its changing needs. Partnering with Installers Choice put us in an exceptional position to provide quality rack and mount solutions dedicated to customer satisfaction that is in keeping with the vision and long standing core values of Liberty. These values are what our customers expect from us and they are what Liberty will continue to deliver.

Liberty sought a partner who mirrored our desire to provided unmatched customer service and who was versatile enough to respond to ever-changing customer ideas and demands. This response allows for quick follow through on standard and custom design products. We also appreciate their commitment to listen to our ideas and those of our customers in order to deliver the best-in-class solutions our customers need. Installers choice is that partner and we are proud that they are a part of the Liberty AV Solutions family.



Mounts



Fixed Mounts

Installer's Choice fixed wall mounts provide a safe, secure mounting solution for flat-panel displays from 10" to 71". Fixed display mounts feature the shortest distance from the back of the display to the wall. The tilt mount ensures optimal screen viewing in any room setting.



Tilt Mounts

Tilt series features flat-panel wall mounts for LCD and plasma displays from 10" to 71". Installer's Choice tilt mounts provide -9° thru 15° tilt adjustments to provide the perfect viewing angle. The tilt mount ensures optimal screen viewing in any room setting.



Articulating Mounts

Articulating/pivot mounts deliver the highest level of flexibility for your 26" to 71" flat-panel displays. Single and double stud options provide tilt and full-motion swivel functions that allow your display to be viewed from anywhere and any room.



Surge Suppression Connection Boxes

The surge suppression connection boxes provide a simple and organized interface for managing the cables and power for your flat-panel displays and other audio-visual equipment. The boxes recess the cables into your wall, allowing your slim flat-panel display to keep the lowest profile possible. Built-in surge protector keeps your electronics safe and your power cord routing simple and centrally located. They easily install and lock into the wall with lock tabs that accommodate drywall from 0.5"-1.25" thick.

Fixed Mounts



Razor
SERIES

IC32F

Panel Sizes: 23" to 32"

Weight Capacity: 100 lbs.

Product Dimensions: 15" x 19.25" x 0.8" (h x w x d)

Description: The IC32F is part of the Installer's Choice Razor Series. This low-profile fixed mount accentuates the slim, contemporary design of the industry's most streamlined 23" to 32" flat-panel displays, placing them just 0.8" from the wall. The ultra-slim profile provides seamless, elegant security for your displays. The IC32F supports flat-panel displays up to 100 lbs. with ease.

Universal mount for most 200x100mm - 400x200mm mounting patterns.



EP42F

Panel Sizes: 26" to 42"

Weight Capacity: 80 lbs.

Product Dimensions: 9" x 8.75" x 0.7" (h x w x d)

Description: The EP42F fixed mount is able to support 26" to 42" flat-panel displays weighing up to 80 lbs. while placing them just 0.7" away from the wall. This basic, robust design provides ample security for virtually every 26" to 42" display on the market. The single stud design ensures easy installation and ready access to cable routing.

Universal mount for most 75x75mm - 200x200mm mounting patterns.



Razor
SERIES

IC60F

Panel Sizes: 37" to 60"

Weight Capacity: 100 lbs.

Product Dimensions: 20.25" x 30" x 0.8" (h x w x d)

Description: The IC60F is part of the Installer's Choice Razor Series. This low-profile fixed mount accentuates the slim, contemporary design of the industry's most streamlined 37" to 60" flat-panel displays, placing them just 0.8" from the wall. The ultra-slim profile provides seamless, elegant security for your displays. The IC60F supports flat-panel displays up to 100 lbs. with ease.

Universal mount for most 200x200mm - 600x400mm mounting patterns.



EP60F

Panel Sizes: 32" to 60"

Weight Capacity: 125 lbs.

Product Dimensions: 17" x 19.75" x 0.8" (h x w x d)

Description: The EP60F fixed mount is able to support 32" to 60" flat-panel displays weighing up to 125 lbs. while placing them just 0.8" away from the wall. This basic, robust design provides ample security for virtually every 32" to 60" display on the market. The dual stud, dual rail design ensures easy installation and ready access to cable routing.

Universal mount for most 100x100mm - 400x400mm mounting patterns.

Fixed Mounts



IM63F

Panel Sizes: 32" to 63"

Weight Capacity: 200 lbs.

Product Dimensions: 17.25" x 27.25" x 1.375" (h x w x d)

Description: The IM63F is the Installer's Choice fixed mount option for your 32" to 63" flat-panel displays and is capable of supporting flat-panels up to 200 lbs. Our heavy-duty, dual rail design provides ample security for virtually every 32" to 63" display on the market. The dual stud, dual rail design ensures easy installation and ready access to cable routing. The IM63F has a 1.375" profile and the open wall plate design has expanded mounting and cable access flexibility.

Universal mount for most 200x200mm - 600x400mm mounting patterns.



IM65F

Panel Sizes: 42" to 65"

Weight Capacity: 200 lbs.

Product Dimensions: 17.125" x 36" x 1.375" (h x w x d)

Description: The IM65F is the Installer's Choice fixed mount option for your 42" to 65" flat-panel displays and is capable of supporting flat-panels up to 200 lbs. Our heavy-duty, dual rail design provides ample security for virtually every 42" to 65" display on the market. The triple stud, dual rail design ensures easy installation and ready access to cable routing. The IM65F has a 1.375" profile and the open wall plate design has expanded mounting and cable access flexibility.

Universal mount for most 200x200mm - 800x400mm mounting patterns.



IC71F

Panel Sizes: 46" to 71"

Weight Capacity: 100 lbs.

Product Dimensions: 20.25" x 36" x 0.8" (h x w x d)

Description: The IC71F is part of the Installer's Choice Razor Series. This low-profile fixed mount accentuates the slim, contemporary design of the industry's most streamlined 46" to 71" flat-panel displays, placing them just 0.8" from the wall. The ultra-slim profile provides seamless, elegant security for your displays. The IC71F supports flat-panel displays up to 100 lbs. with ease.

Universal mount for most 200x200mm - 800x400mm mounting patterns.

Razor
SERIES



IC71FH Heavy Duty

Panel Sizes: 55" to 71"

Weight Capacity: 200 lbs.

Product Dimensions: 21.25" x 36" x 1" (h x w x d)

Description: The IC71FH is a heavy-duty, low-profile fixed mount that accentuates the slim, contemporary design of the industry's most streamlined 55" to 71" flat-panel displays, placing them just 1" from the wall. The ultra-slim profile provides seamless, elegant security for your displays. The IC71FH supports flat-panel displays up to 200 lbs. with ease. Its triple stud, single rail design ensures easy installation and ready access to cable routing.

Universal mount for most 200x200mm - 800x400mm mounting patterns.

Fixed Mounts



EP26T

Panel Sizes: 10" to 26"

Weight Capacity: 40 lbs.

Product Dimensions: 4.75" x 5.125" x 2" (h x w x d)

Description: The EP26T tilt mount is able to support 10" to 26" flat-panel displays weighing up to 40 lbs. while placing them just 2" away from the wall. This basic, robust design provides ample security for virtually every 10" to 26" display on the market. The single stud, single rail design ensures easy installation and ready access to cable routing. The EP26T allows continuous tilt from -5° thru 15°.

Universal mount for most 75x75mm - 100x100mm mounting patterns.



IC32T

Panel Sizes: 23" to 32"

Weight Capacity: 100 lbs.

Product Dimensions: 14.375" x 19.25" x 0.8" (h x w x d)

Description: The IC32T is part of the Installer's Choice Razor Series. This low-profile tilt mount accentuates the slim, contemporary design of the industry's most streamlined 23" to 32" flat-panel displays, placing them just 0.8" from the wall. The IC32T supports displays weighing up to 100 lbs. and allows you to adjust your viewing angle from -9° thru 15°, all while maintaining one of the thinnest profiles on the market.

Universal mount for most 200x100mm - 400x200mm mounting patterns.



EP42T

Panel Sizes: 26" to 42"

Weight Capacity: 80 lbs.

Product Dimensions: 9" x 8.75" x 2" (h x w x d)

Description: The EP42T tilt mount is able to support 26" to 42" flat-panel displays weighing up to 80 lbs. while placing them just 2" from the wall. This basic, robust design provides ample security for virtually every 26" to 42" display on the market. The single stud, single rail design ensures easy installation and ready access to cable routing. The EP42T allows continuous tilt from -5° thru 15°.

Universal mount for most 75x75mm - 200x200mm mounting patterns.



IC60T

Panel Sizes: 37" to 60"

Weight Capacity: 100 lbs.

Product Dimensions: 20.25" x 30" x 0.8" (h x w x d)

Description: The IC60T is part of the Installer's Choice Razor Series. This low-profile tilt mount accentuates the slim, contemporary design of the industry's most streamlined 37" to 60" flat-panel displays, placing them just 0.8" from the wall. The IC60T supports displays weighing up to 100 lbs. and allows you to adjust your viewing angle from -9° thru 15°, all while maintaining one of the thinnest profiles on the market.

Universal mount for most 200x200mm - 600x400mm mounting patterns.

Tilt Mounts



EP60T

Panel Sizes: 32" to 60"

Weight Capacity: 125 lbs.

Product Dimensions: 17" x 19.75" x 2" (h x w x d)

Description: The EP60T tilt mount is able to support 32" to 60" flat-panel displays weighing up to 125 lbs. while placing them just 2" away from the wall. This basic, robust design provides ample security for virtually every 32" to 60" display on the market. The dual stud, dual rail design ensures easy installation and ready access to cable routing. The EP60T allows continuous tilt from -5° thru 15°.

Universal mount for most 100x100mm - 400x400mm mounting patterns.



EP63T

Panel Sizes: 42" to 63"

Weight Capacity: 200 lbs.

Product Dimensions: 24.75" x 34.625" x 2.25" (h x w x d)

Description: The EP63T tilt mount is able to support 42" to 63" flat-panel displays weighing up to 200 lbs. while placing them just 2.25" away from the wall. This basic, robust design provides ample security for virtually every 42"- 63" display on the market. The triple stud, dual rail design ensures easy installation and ready access to cable routing. The EP63T allows continuous tilt from -5° thru 15°.

Universal mount for most 100x100mm - 600x800mm mounting patterns.



IM63T

Panel Sizes: 32" to 63"

Weight Capacity: 200 lbs.

Product Dimensions: 17.25" x 27.25" x 2.25" (h x w x d)

Description: The IM63T is the Installer's Choice tilt mount option for your 32" to 63" flat-panel displays and is capable of supporting flat-panels up to 200 lbs. Our heavy-duty, dual rail design provides ample security for virtually every 32" to 63" display on the market. The dual stud, dual rail design ensures easy installation and ready access to cable routing. This mount allows you to adjust your flat-panel display from -5° thru 15°. The IM63T has a 2.25" profile and the open wall plate design has expanded mounting and cable access flexibility.

Universal mount for most 200x200mm - 600x400mm mounting patterns.



IM65T

Panel Sizes: 42" to 65"

Weight Capacity: 200 lbs.

Product Dimensions: 17.25" x 36" x 2.25" (h x w x d)

Description: The IM65T is the Installer's Choice tilt mount option for your 42" to 65" flat-panel displays and is capable of supporting flat-panels up to 200 lbs. Our heavy-duty, dual rail design provides ample security for virtually every 42" to 65" display on the market. The triple stud, dual rail design ensures easy installation and ready access to cable routing. This mount allows you to adjust your flat-panel display from -5° thru 15°. The IM65T has a 2.25" profile and the open wall plate design has expanded mounting and cable access flexibility.

Universal mount for most 200x200mm - 800x400mm mounting patterns.

Tilt Mounts



IC71T

Panel Sizes: 46" to 71"

Weight Capacity: 100 lbs.

Product Dimensions: 20.25" x 36" x 0.8" (h x w x d)

Description: The IC71T is part of the Installer's Choice Razor Series. This low-profile tilt mount accentuates the slim, contemporary design of the industry's most streamlined 46" to 71" flat-panel displays, placing them just 0.8" from the wall. The IC71T supports displays weighing up to 100 lbs. and allows you to adjust your viewing angle from -9° thru 15°, all while maintaining one of the thinnest profiles on the market.

Universal mount for most 200x200mm - 800x400mm mounting patterns.



IC71TH Heavy Duty

Panel Sizes: 55" to 71"

Weight Capacity: 200 lbs.

Product Dimensions: 22.25" x 36" x 1.5" (h x w x d)

Description: The IC71TH is the Installer's Choice heavy-duty, low-profile tilt mount. It places flat-panel displays just 1.5" from the wall, while allowing you to adjust your viewing angle from -9° thru 15°. It accentuates the slim, contemporary design of the industry's most streamlined 55" to 71" flat-panel displays, with an ultra-slim profile that provides seamless, elegant security for your displays. The IC71TH supports flat-panel displays up to 200 lbs. with ease. Its triple stud, single rail design ensures easy installation and ready access to cable routing.

Universal mount for most 200x200mm - 800x400mm mounting patterns.

IC Tilt Mounts Feature



Snap Stand



Locking Mechanism

See page 14 for other Mount Accessories.

1 Stud Articulating Mounts

IC26S1A1



Panel Sizes: 10" to 26"

Weight Capacity: 40 lbs.

Product Dimensions: 7.875" x 7.875" x 2" (h x w x d)

Description: The IC26S1A1 articulating mount is part of the Installer's Choice Razor Series. This is an ideal solution for those looking for a combination of flexibility and stability for 10" to 26" flat-panel displays weighing up to 40 lbs. The mount's ultra-slim profile provides seamless, elegant security for your display, placing it just 2" from the wall when closed and extending up to 13.25" off the wall. Full-motion pan, swivel and extension capabilities make this one of the most versatile mounts available. The single stud design makes installation fast and easy. The IC26S1A1 provides the optimal viewing experience from anywhere in a room, offering a full range of motion and allowing viewing adjustments from -15° thru 15° to ensure the best viewing angle.

Universal mount for most 75x75mm - 200x200mm mounting patterns.

Razor
SERIES

IC42S1A1



Panel Sizes: 26" to 42"

Weight Capacity: 80 lbs.

Product Dimensions: 16" x 13.875" x 1.5" (h x w x d)

Description: The IC42S1A1 articulating mount is part of the Installer's Choice Razor Series. This is an ideal solution for those looking for a combination of flexibility and stability for 26" to 42" flat-panel displays weighing up to 80 lbs. The mount's ultra-slim profile provides seamless, elegant security for your display, placing it just 1.5" from the wall when closed and extending up to 18.75" off the wall. Full-motion pan, swivel and extension capabilities make this one of the most versatile mounts available. The single stud design minimizes installation time. The IC42S1A1 provides the optimal viewing experience from anywhere in a room, offering a full range of motion and allowing viewing adjustments from -2° thru 10° to ensure the best viewing angle.

Universal mount for most 100x100mm - 400x400mm mounting patterns.

Razor
SERIES

2 Stud Articulating Mounts

IC42S2A1



Panel Sizes: 26" to 42"

Weight Capacity: 80 lbs.

Product Dimensions: 16" x 21.25" x 1.5" (h x w x d)

Description: The IC42S2A1 articulating mount is part of the Installer's Choice Razor Series. This is an ideal solution for those looking for a combination of flexibility and stability for 26" to 42" flat-panel displays weighing up to 80 lbs. The mount's ultra-slim profile provides seamless, elegant security for your display, placing it just 1.5" from the wall when closed and extending up to 18.75" off the wall. Full-motion pan, swivel and extension capabilities make this one of the most versatile mounts available. The dual stud, single arm design makes installation fast and easy. The IC42S2A1 provides the optimal viewing experience from anywhere in a room, offering a full range of motion and allowing viewing adjustments from -2° thru 10° to ensure the best viewing angle.

Universal mount for most 100x100mm - 400x400mm mounting patterns.

Razor
SERIES

2 Stud Articulating Mounts



IC60S2A2

Panel Sizes: 40" to 60"

Weight Capacity: 125 lbs.

Product Dimensions: 16" x 21.25" x 1.5" (h x w x d)

Description: The IC60S2A2 articulating mount is part of the Installer's Choice Razor Series. This is an ideal solution for those looking for a combination of flexibility and stability for 40" to 60" flat-panel displays weighing up to 125 lbs. The mount's ultra-slim profile provides seamless, elegant security for your display, placing it just 1.5" from the wall when closed and extending up to 18.75" off the wall. Full-motion pan, swivel and extension capabilities make this one of the most versatile mounts available. The dual stud design makes installation fast and easy. The IC60S2A2 provides the optimal viewing experience from anywhere in a room, offering a full range of motion and allowing viewing adjustments from -2° thru 10° to ensure the best viewing angle.

Universal mount for most 100x100mm - 400x400mm mounting patterns.



EP71S2A2

Panel Sizes: 42" to 71"

Weight Capacity: 200 lbs.

Product Dimensions: 9.69" x 19.61" x 4.65" (h x w x d)

Description: The EP71S2A2 articulating mount gives you a wide range of options for presenting 42" to 71" flat-panel displays weighing up to 200 lbs. The heavy-duty design ensures durability and strength in securing your display without sacrificing motion capabilities. It allows you to view your display from anywhere in the room and enables tilting adjustments from -5° thru 15°, ensuring the best possible viewing angle. The cable management system keeps cables hidden to provide a clean, uncluttered look even when extended. The EP71S2A2 allows you to pan, swivel and extend your display, maximizing your viewing options. The dual stud design makes installation fast and easy.

Universal mount for most 75x75mm - 800x700mm mounting patterns.



Surge Suppression Connection Boxes



ICCB8-1

Product Dimensions: 6" x 8" x 3.75" (h x w x d)

Description: The ICCB8-1 connection box provides a simple and organized interface for managing the cables and power for your flat-panel displays and other audio-visual equipment. This connection box is great for smaller flat-panel displays, providing an uncluttered, compact setup. The box recesses the cables into your wall, allowing your slim flat-panel display to keep the lowest profile possible. Built-in surge protector keeps your electronics safe and your power cord routing simple and centrally located. The ICCB8-1 easily installs and locks into the wall with lock tabs that accommodate drywall from 0.5"-1.25" thick. The box fits within open mount faces 6" x 8" and larger.



ICCB10-1

Product Dimensions: 10" x 10" x 3.75" (h x w x d)

Description: The ICCB10-1 connection box provides a simple and organized interface for managing the cables and power for your flat-panel displays and other audio-visual equipment. The box recesses the cables into your wall, allowing your slim flat-panel display to keep the lowest profile possible. Built-in surge protector keeps your electronics safe and your power cord routing simple and centrally located. The ICCB10-1 easily installs and locks into the wall with lock tabs that accommodate drywall from 0.5"-1.25" thick. The box fits within open mount faces 10" x 10" and larger.



ICCB12-2

Product Dimensions: 12.50" x 12.50" x 3.75" (h x w x d)

Description: The ICCB12-2 connection box provides a simple and organized interface for managing the cables and power for your flat-panel displays and other audio-visual equipment. The box recesses the cables into your wall, allowing your slim flat-panel display to keep the lowest profile possible. Built-in dual surge protectors keep your electronics safe and your power cord routing simple and centrally located. The ICCB12-2 easily installs and locks into the wall with lock tabs that accommodate drywall from 0.5"-1.25" thick. The box fits within open mount faces 12.5" x 12.5" and larger.



Our surge suppression connection boxes provide an organized, recessed space where your cables can easily be bundled and tied down out of sight.

Mount Accessories



ICPADLK

Description:
Padlock deters theft of flat-panel display and helps secure arm to wall plate.



ICSHTMTL

Description:
Metal stud hardware kit.

For more information, please visit us online at www.LibAV.com



Warranty and Policies

A. Design Changes

Installer's Choice reserves the right to make product changes as deemed necessary to allow continued progress, improvement, and adaptability in an advancing industry.

B. Proprietary Rights

This catalog and the information contained within are deemed proprietary to Installer's Choice and are to be used only for the purpose for which they are submitted and shall not be copied in whole or in part without the prior written consent of Installer's Choice and IMS Engineered Products.

C. Cancellation and Return

Cancellation and return charges begin at 25% with a minimum of \$25.00, depending on the nature of the order and the extent to which it has been processed. All returns have a 30-day-upon-receipt-time limit. Returns must be freight prepaid and not made without the prior written approval of Installer's Choice.

D. Terms

All quotations, order confirmations, published prices and discounts based on delivery F.O.B. Installer's Choice, 1 Innovation Drive, Des Plaines, IL 60016 Freight Collect. Invoice payment terms– net 30 days.

E. Limited Warranty

Flat-Panel Mounts

This limited warranty is provided in goodwill and extends only to the original purchaser of the IMS EP Installer's Choice product; it is non-transferable. This warranty is automatically void if your Installer's Choice product is modified in any way: improperly installed, extended beyond its stated weight capacity or otherwise misused or abused. This warranty cannot be transferred over or extended to anyone other than the original purchaser. The limited five-year warranty for all mount and mount-related products is void if the mount is moved from its initial installation.

F. Power Accessories

All electrical and motorized components are warranted for a period of one year from the date of purchase.

G. Warranty Repair

Purchaser shall obtain controlled authorization number before returning to Installer's Choice any items alleged to be defective.

H. Inspection

IMS shall have the right to inspect any and all allegedly defective items on site at purchaser's convenience.

I. Disclaimer of Consequential Damage and Limitations of Implied Warranty

Installer's Choice disclaims any responsibility for loss of time or use of parts or equipment wherein Installer's Choice mounts, components and accessories are used, transportation of any other incidental or consequential damage; and any implied warranty of merchantability and fitness for intended use are limited to the duration of this limited warranty. All product warranties are limited to material and workmanship.



A SUBSIDIARY OF COMMUNICATIONS SUPPLY CORPORATION

11675 Ridgeline Drive
Colorado Springs, Colorado 80921 USA
719-260-0061
www.LibAV.com

Manufactured by:

